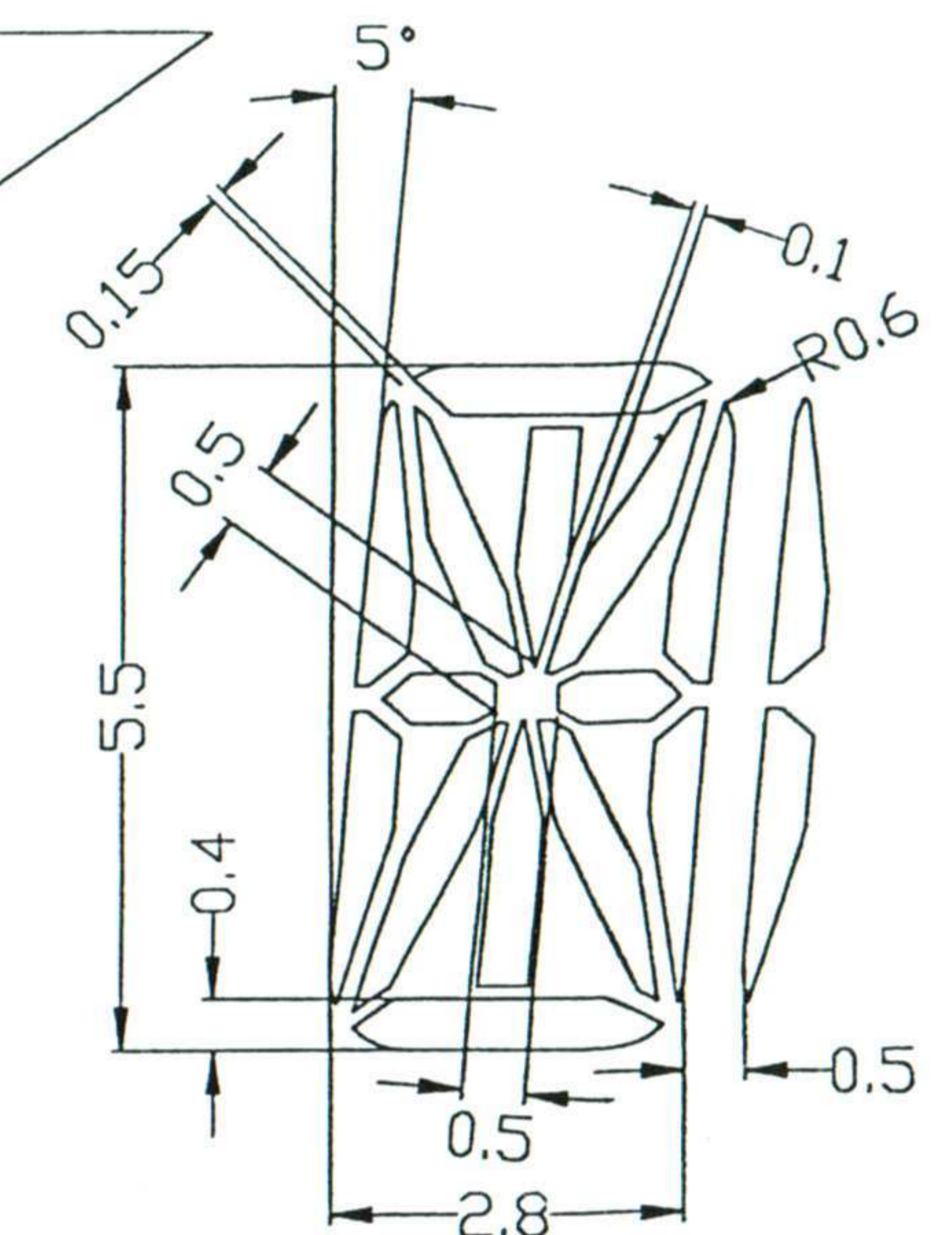
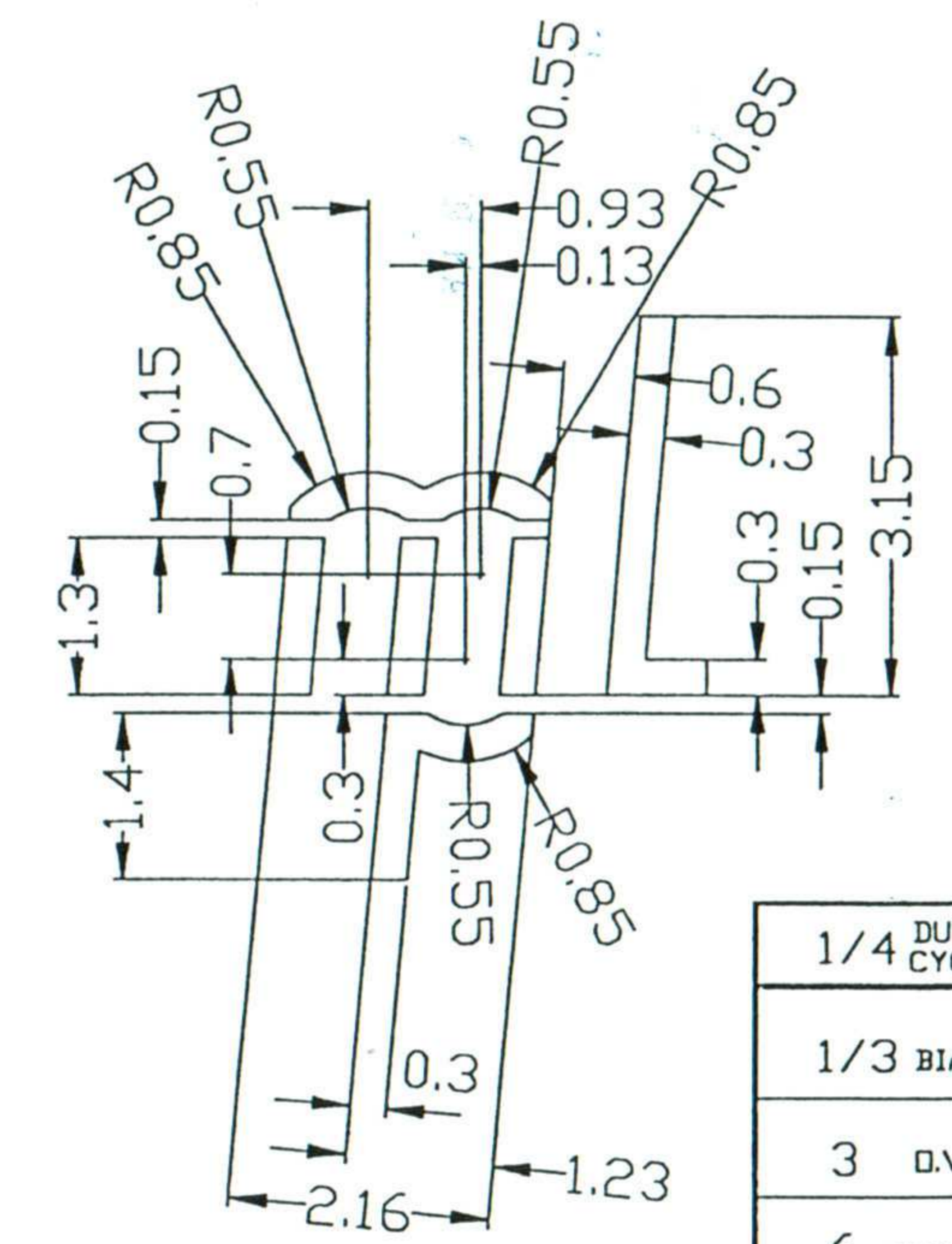
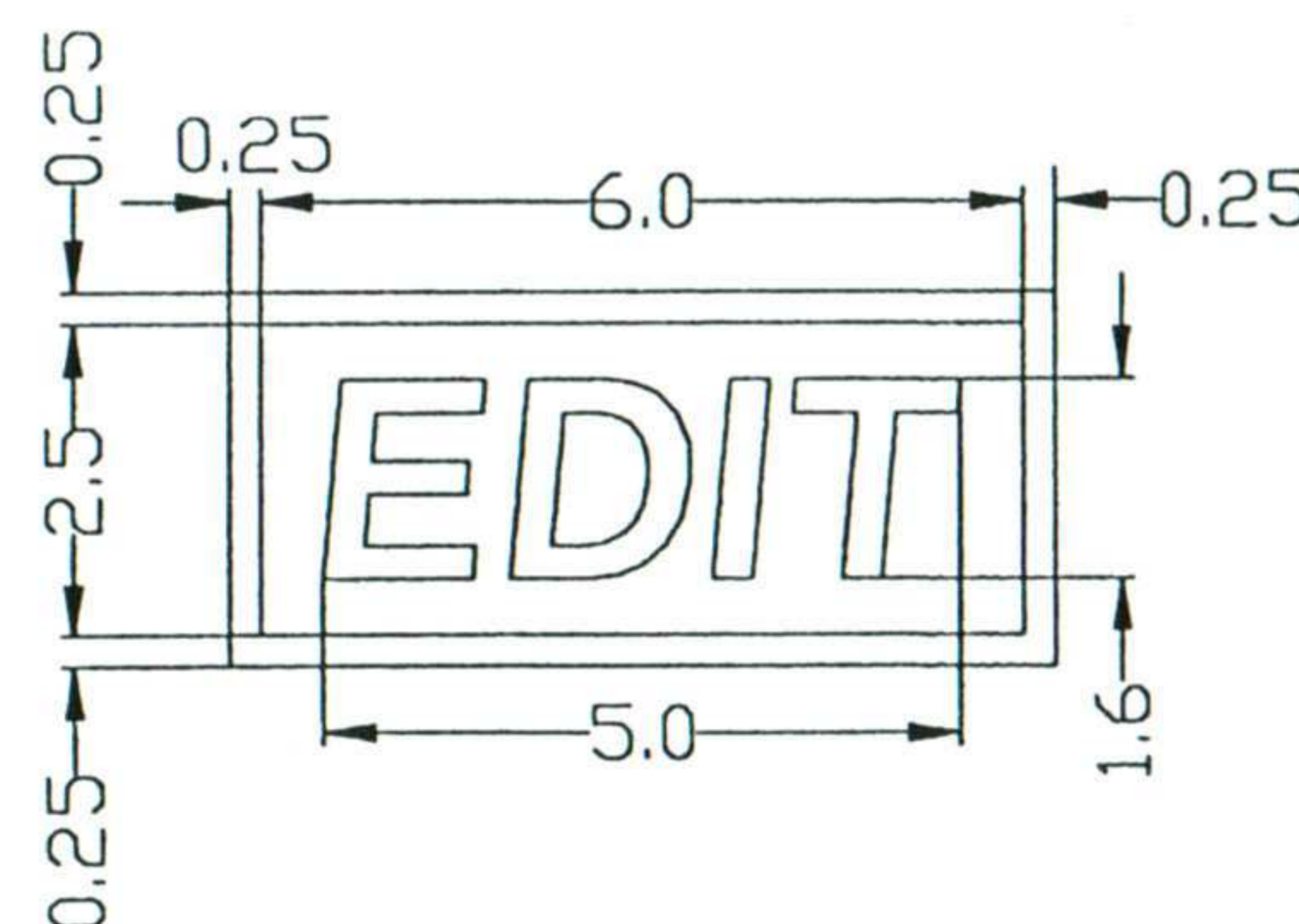
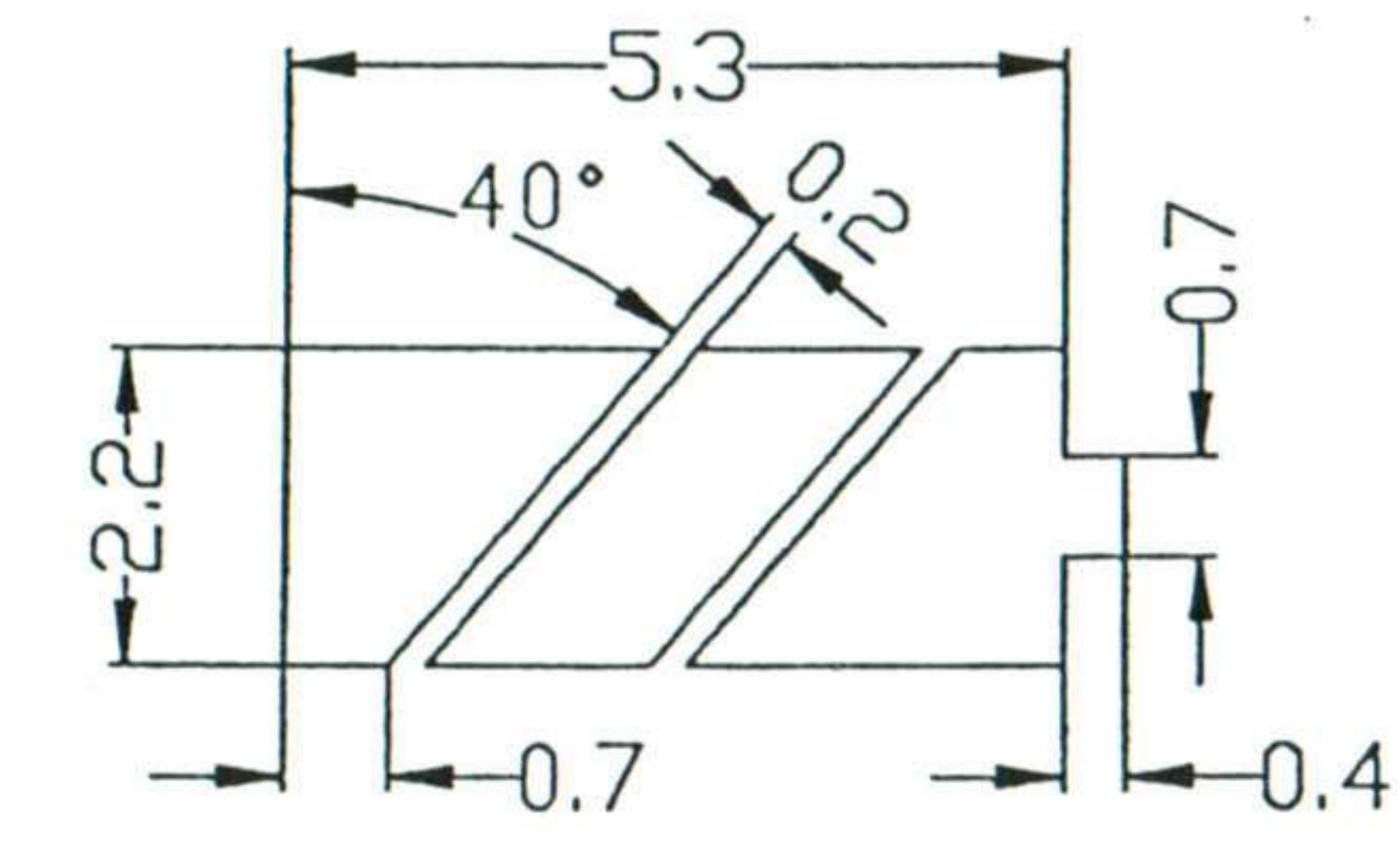
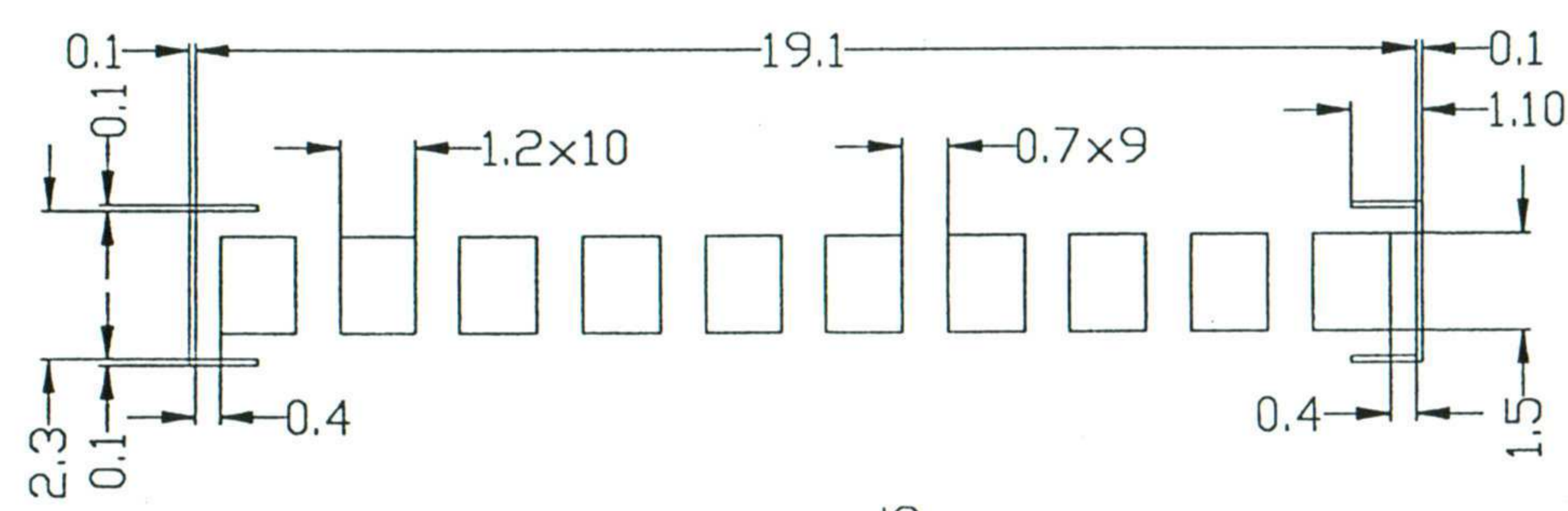
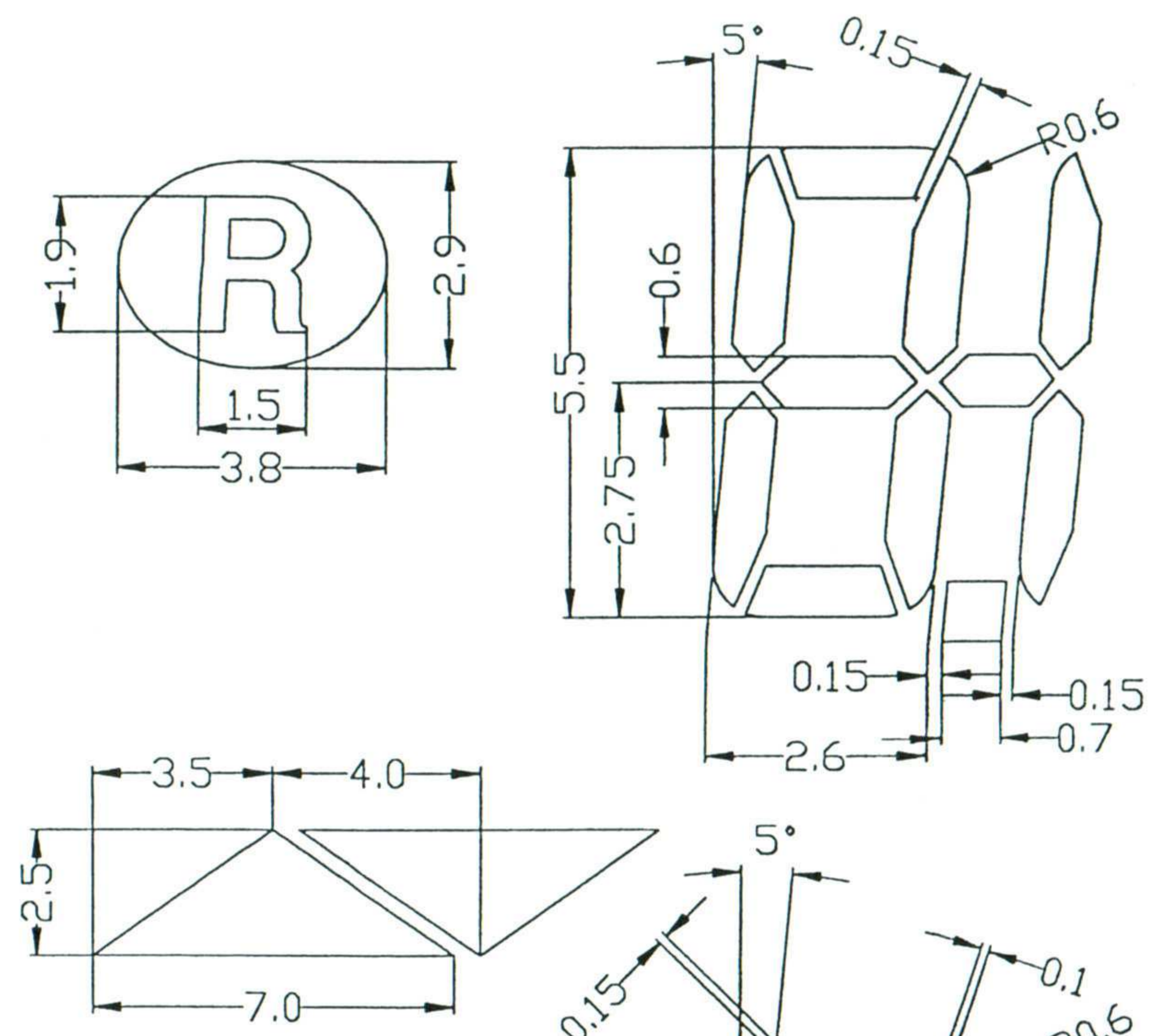
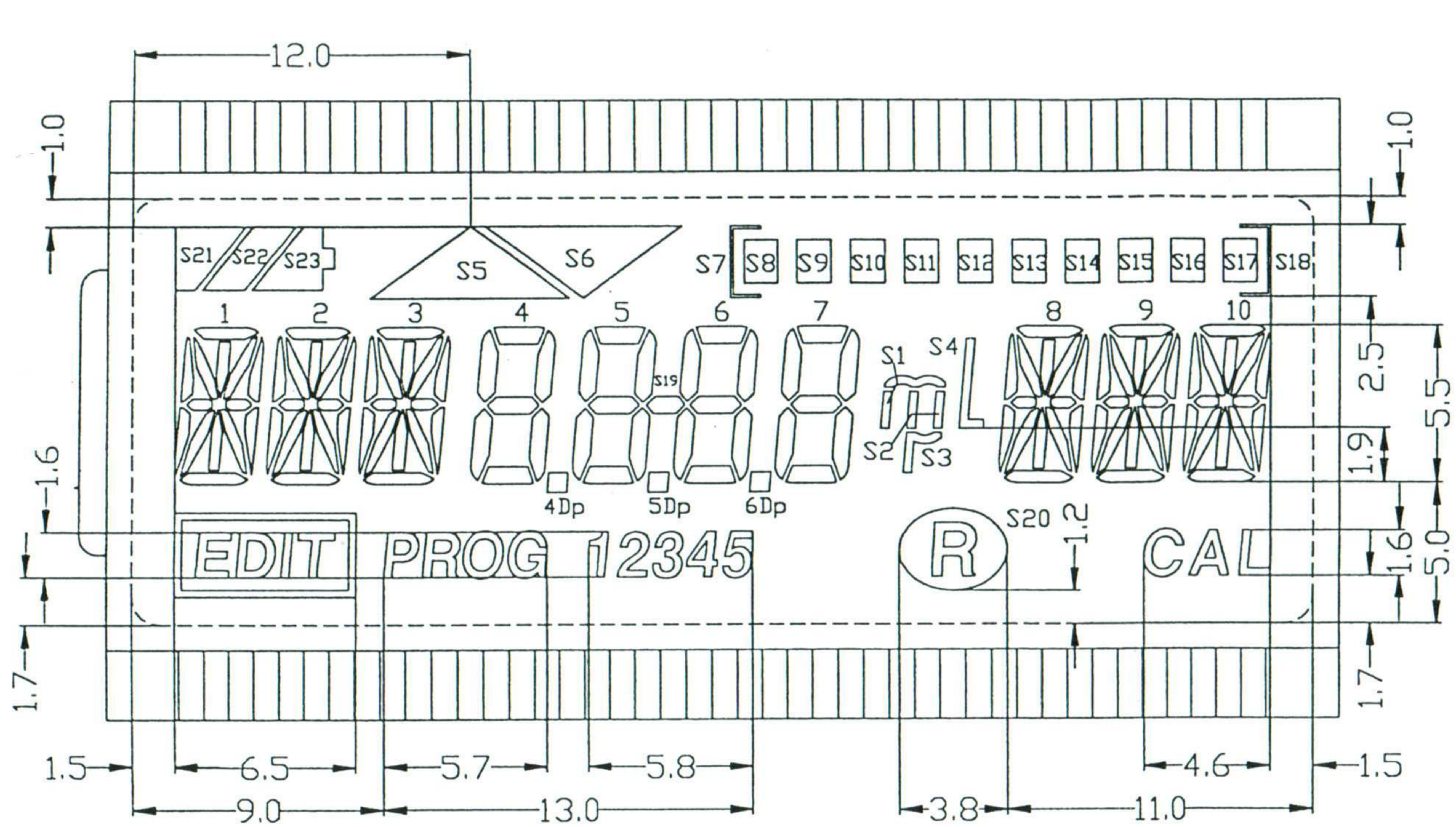


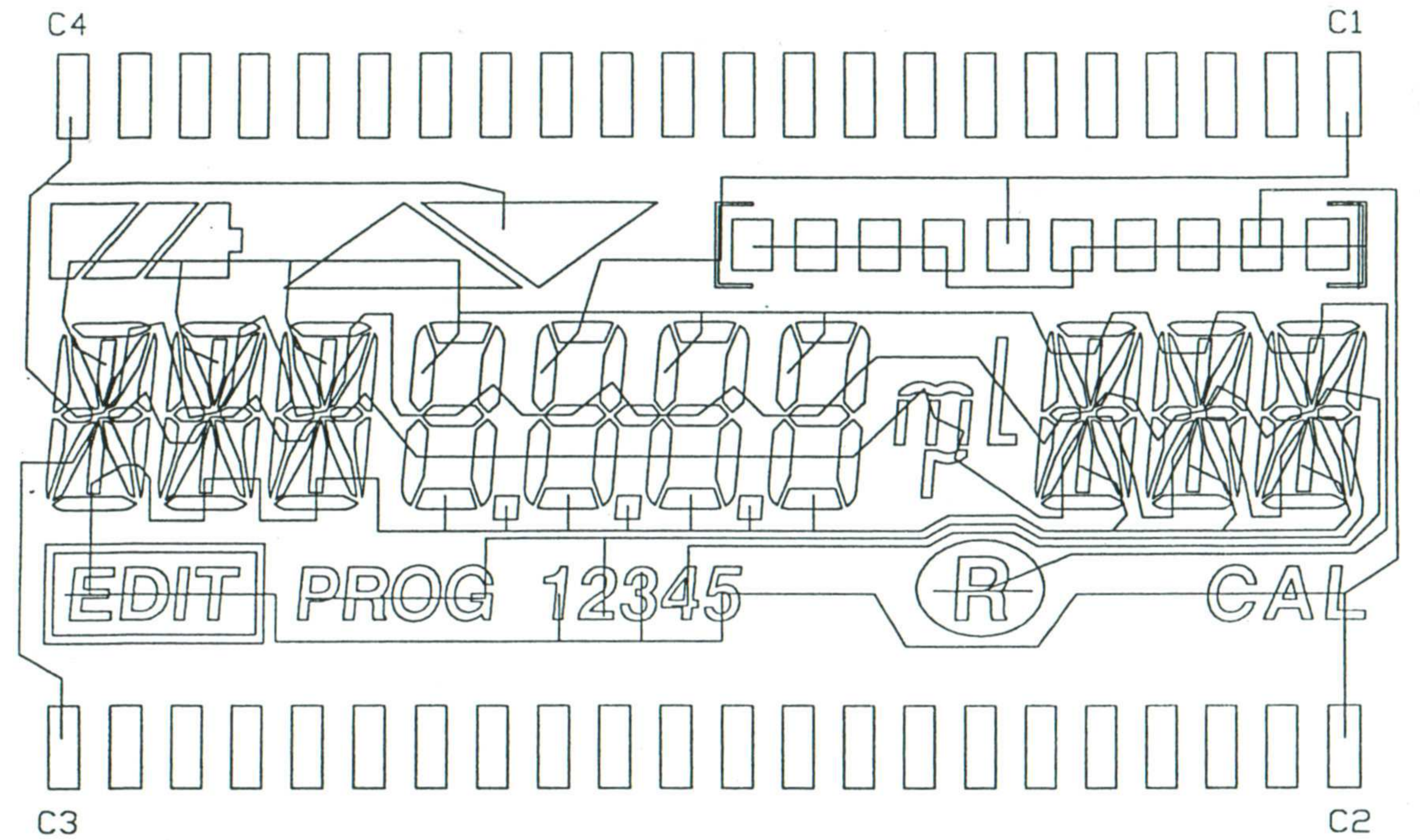
NOTES:

- 1. OPERATING TEMPERATURE: 0°C TO +50°C
- 2. STORAGE TEMPERATURE: -20°C TO +75°C
- TOLERANCE OF SEGMENTS TO EDGE OF GLASS: ±0.2MM

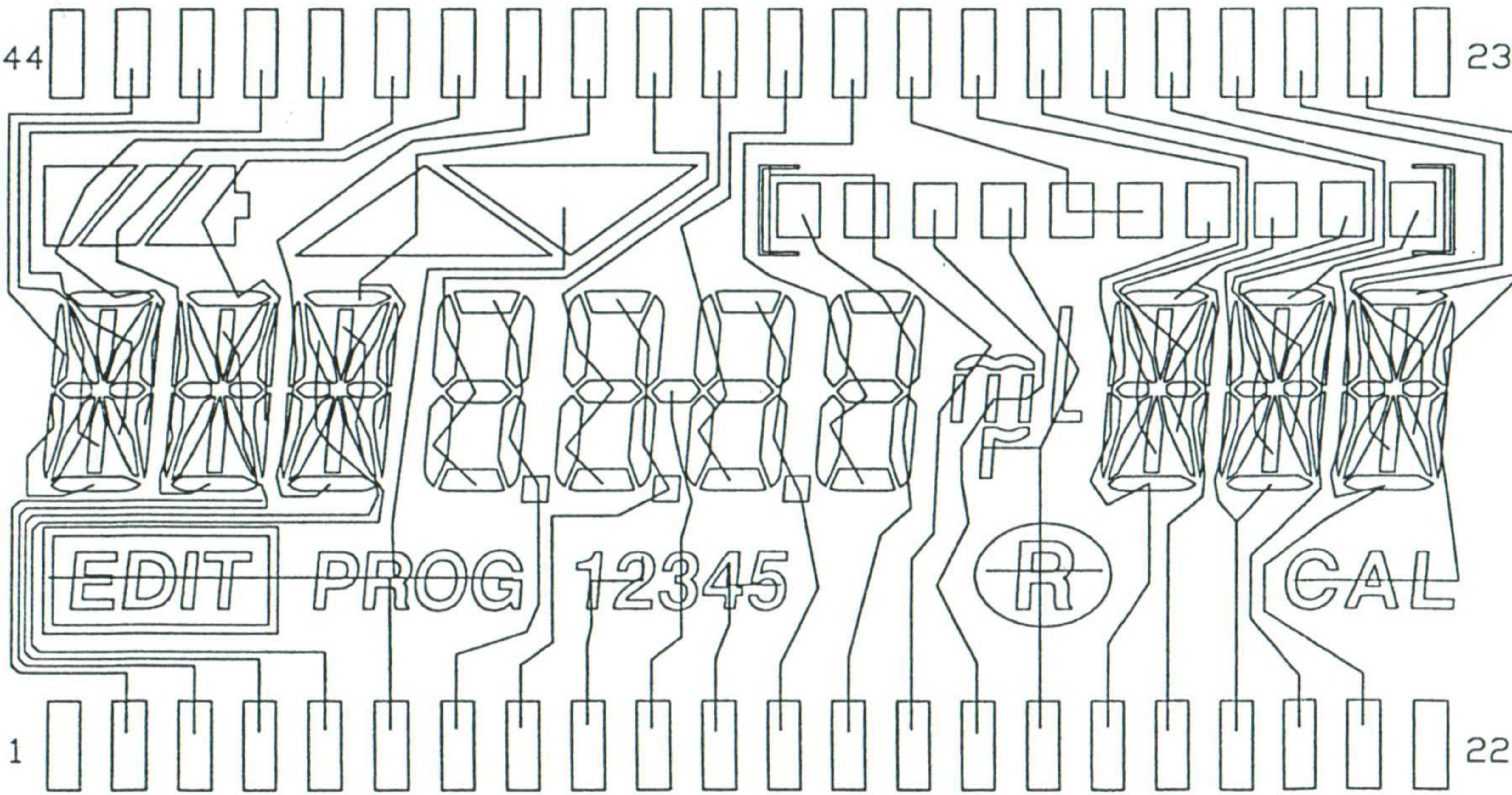
NO.	CONTENT	DATE	1/4 DUTY CYCLE	TRULY SEMICONDUCTORS LTD.		
A	④		1/3 BIAS	PRODUCT NO.	DRAW NO.	REV
M	③	990617	3 D.V.	TTR3405DPRDPN-SP	G076 (3-1)	C
E	②	990324	6 O'CLOCK	DWN 梁文雄 990324	DSN 陈宝山 990328	
N	①	990316		CHKD 梁文雄 990328	APPD 陈宝山 990328	
D	①			NOT IN SCALE	UNIT mm	



1/4 DUTY CYCLE	TRULY SEMICONDUCTORS LTD.		
1/3 BIAS	PRODUCT NO. TTR3405DPRDPN-SP	DRAW NO. G076 (3-2)	REV C
3 D.V.	DWN 梁实德 990324	DSN 陈宝山 990328	
6 O'CLOCK	CHKD 徐斌 990328	APPD 古安群 990328	
NOT IN SCALE		UNIT MM	



COM



SEG

PIN	COM1	COM2	COM3	COM4
1			COM3	
2	2H	2M	2N	2G
3	2I	2L	2K	2J
4	3H	3M	3N	3G
5	3I	3L	3K	3J
6		EDIT	PROG	S6
7	4A	4DP	4C	4B
8	5A	5DP	5C	5B
9		1	2	
10		3		S19
11		5		4
12	6A	6DP	6C	6B
13	7A	S8	7C	7B
14	S7	S9	S1	
15		S10	S2	
16	S20	S11	S3	S4
17	8F	S14	8D	8E
18	8A	S15	8C	8B
19	9F	S16	9D	9E
20	9A	S17	9C	9B
21	10F	S18	10D	10E
22		COM2		
23	COM1			
24	10A	CAL	10C	10B
25	10I	10L	10K	10J
26	10H	10M	10N	10G
27	9I	9L	9K	9J
28	9H	9M	9N	9G
29	8I	8L	8K	8J
30	8H	8M	8N	8G
31	S12	S13		
32	7F	7D	7E	7G
33	6F	6D	6E	6G
34	5F	5D	5E	5G
35	4F	4D	4E	4G
36	S5	3C	3B	3A
37		3D	3E	3F
38	S23	2C	2B	2A
39	S22	2D	2E	2F
40	S21	1C	1B	1A
41	1I	1L	1K	1J
42	1H	1M	1N	1G
43		1D	1E	1F
44				COM4

1/4 DUTY CYCLE	TRULY SEMICONDUCTORS LTD.		
1/3 BIAS	PRODUCT NO. TTR3405DPRDPN-SP	DRAW NO. G076 (3-3)	REV C
3 D.V.	DWN 梁实德-990324	DSN 陈宝山 990328	
6 D'CLOCK	CHKD 陈斌 990328	APPD 王世辉 990328	
	NOT IN SCALE	UNIT MM	